



www.riso.co.za

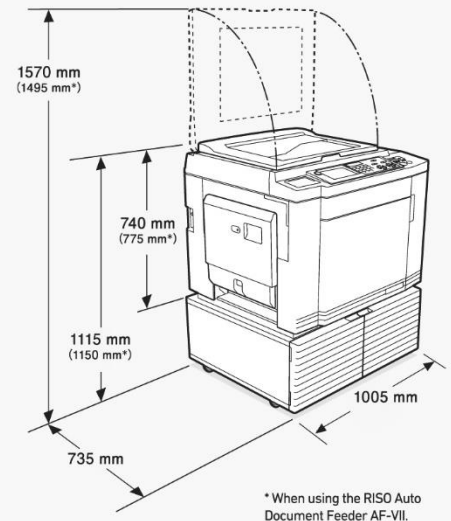
A new dimension
of **INKJET**



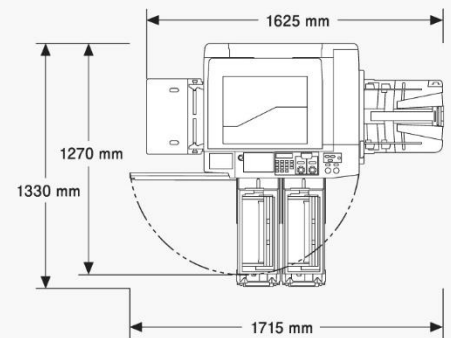
2 Color printing Compatible

RISO MH 9350

Master Making/Printing Methods		High-speed digital master-making/Fully automatic printing
Original type		Book or Sheet
Master Making Time ¹ (A4 short edge feed)	Quick Master Making Mode	Dual color print: approx. 53 seconds Mono color print with drum (cylinder) 1: approx. 22 seconds Mono color print with drum (cylinder) 2: approx. 32 seconds
	Normal Master Making Mode	Dual color print: approx. 57 seconds Mono color print with drum (cylinder) 1: approx. 24 seconds Mono color print with drum (cylinder) 2: approx. 34 seconds
Resolution	Scanning	600 dpi × 600 dpi
	Printing	600 dpi × 600 dpi, Quick Master Making Mode: 600 dpi × 400 dpi
Maximum Scanning Area		297 mm × 432 mm
Print paper weight		46 gsm to 210 gsm
Print Paper Size ²	Dual color print	Standard size: B5, A4, B4, A3, Foolscap, C4 Custom size: 100 mm × 246 mm to 320 mm × 432 mm
	Mono color print with drum (cylinder) 1	Standard size: B6, A5, B5, B5 (long edge feed), A4, A4 (long edge feed), B4, A3, Foolscap, C4, C5, C5 (long edge feed), C6, DL Custom size: 100 mm × 148 mm to 320 mm × 432 mm
	Mono color print with drum (cylinder) 2 (when drum (cylinder) 1 is set in place)	Standard size: B5, A4, B4, A3, Foolscap, C4 Custom size: 100 mm × 246 mm to 320 mm × 432 mm
	Mono color print with drum (cylinder) 2 (when drum (cylinder) 1 is removed) ³	Standard size: B5, A4, B4, A3, Foolscap, C4 Custom size: 100 mm × 315 mm to 320 mm × 432 mm
Maximum Printing Area		291 mm × 413 mm
Paper Feed Tray Stacking Capacity		1000 sheets* (stacking height of 110 mm or less)
Paper Receiving Tray Stacking Capacity		1000 sheets* (stacking height of 110 mm or less)
Print Speed		6 levels: 60, 80, 100, 110, 120, and 150 (High Speed*) sheets per minute
Print Position Adjustment		Horizontal: ±15 mm Vertical: ±10 mm
Image Processing Mode		Line, Photo (Standard/Portrait), Duo (Standard/Line/Photo/Shadow off), Pencil (Darker/Lighter)
Print Reproduction Ratio		Zoom (50% to 200%), Free, 100% reproduction ratio, Margin+ (90% to 99%), Enlargement (163%, 141%, 122%, 116%), Reduction (87%, 82%, 71%, 61%)
User Interface		Color touch panel
Functions		Image, Contrast, Size, Paper Size Detection, D-Feed Check, Dot Process, Contrast Adj, Tone Curve, Layout, Multi-Up Print, 2 Up, Book Shadow, Top Margin Adj., Binding Margin Adj., Max. Scan, Ink Saving, Quick Master Making, Preview, ADF Semi-Auto*, Storage, Overlay, Stamp, Print Speed Adjustment, Print Density Adjustment, Print Position Adjustment, Interval, Renew Page, Auto Page Renewal, OneSide MasterMake, Rotate, Special Paper Ctrl, Output reversal, Scanning Side -ADF*, Paper Memory Print, Separation, Recommendation Preview, Color, Program, Job Separation*, Slip sheet sorting, Job Memory, Reservation, Editor, Idling Action, Confidential, My Direct Access, Meter Display, ID Counter Report, Proof Copy, Direct Printing, USB Job List, Scanning Mode, Admin., Auto Sleep, Auto Power-OFF, Power-OFF Schedule, Protect, RISO iQuality System, Application Linkage
PC Interface		USB2.0, Ethernet: 100BASE-TX/10BASE-T
Ink Supply		Full automatic (1000 ml/cartridge)
Master Supply/Disposal		Full automatic A3 approx. 220 sheets per roll/Disposal capacity: approx. 80 sheets
Power Source		MH9350E: AC 220-240 V, 50-60 Hz <3.0 A> MH9350A: AC 100-240 V, 50-60 Hz <7.3-3.0 A>
Power Consumption	Standard	Max. 630 W (AC 100-120V), 580 W (AC 220-240V), Ready: 50 W or lower, Sleep: (Standard) 5 W or lower, (Low) 0.5 W or lower, Power-OFF: 0.5 W or lower
	Optional Accessories Connected ⁸	Max. 630 W (AC 100-120V), 580 W (AC 220-240V), Ready: 53 W or lower, Sleep: (Standard) 10 W or lower, (Low) 1.5 W or lower, Power-OFF: 0.5 W or lower
Dimensions (W×D×H) ⁷	In use	1625 mm × 735 mm × 1115 mm
	In storage	1005 mm × 735 mm × 1115 mm
Required Space (W×D×H)		1715 mm × 1330 mm × 1570 mm
Weight ¹⁰		Approx. 164 kg



* When using the RISO Auto Document Feeder AF-VII.



¹ Measurement value when set to 100% reproduction ratio. ² When the optional Wide Stacking Tray is installed, you can use paper up to a size of 340mm × 555mm by setting [Custom Paper Entry]. ³ The print position may not be stabilized when a B5 or A4 size sheet is printed in a single color with print drum (cylinder) 2. When printing at [High Speed] and using paper with a horizontal length of less than 364 mm, the print position may not be stabilized. ⁴ When using the following weight of paper: 64gsm to 80gsm ⁵ If the temperature of the inside of the print drum (cylinder) is less than 15°C, [High Speed] is not usable. In order to use [High Speed] when you print in mono-color mode with print drum (cylinder) 2 while print drum (cylinder) 1 is removed, use paper with a length of 364 mm to 432 mm in the horizontal direction. ⁶ Usable when the optional auto document feeder is installed. ⁷ Usable when the optional Job Separator is installed. ⁸ When all the following optional accessories are installed. Auto Document Feeder, Job Separator and IC Card Reader. ⁹ The height includes the dedicated rack. ¹⁰ The weight does not include the ink, master roll, and rack.
Notes: Specifications are subject to change without notice.

Optional Accessories



RISO F II Type HD Drum
Enables color printing
(Case included)



RISO Auto Document Feeder AF-VII
Scans multiple documents automatically.



RISO Job Separator IV; NIII
Enables easy separation of printed sheets by inserting tape strips.



Card Feed Kit
Compatible with paper weight 100 gsm to 400 gsm.
*Please contact a RISO sales executive for the kinds of paper that may be used.



Envelope Feed Kit
Compatible with paper weight 50 gsm to 120 gsm.
*Please contact a RISO sales executive for the kinds of paper that may be used.

- IC Card Reader Activation Kit RG
- Wide Stacking Tray (Allows use of paper up to 555 mm in long edge.)
- RISO Printer driver for Macintosh

Consumables



RISO INK FII TYPE Color (1000 ml)



RISO MASTER FII TYPE HG97
RISO MASTER FII TYPE HD87
(A3: 220 sheets)



RISO INK FII TYPE HD BLACK (1000 ml)

RISO iQualitySystem



The RISO iQuality mark indicates a RISO product compatible with the RISO iQuality System.

RISO and RISO iQualitySystem are trademarks or registered trademarks of RISO KAGAKU CORPORATION in the United States and other countries. Other corporate names and/or trademarks are either registered trademarks or trademarks of each company, respectively.

Copyright ©2021 RISO KAGAKU CORPORATION. All rights reserved.



RISO AFRICA (PTY) LTD
<http://www.riso.co.za/>